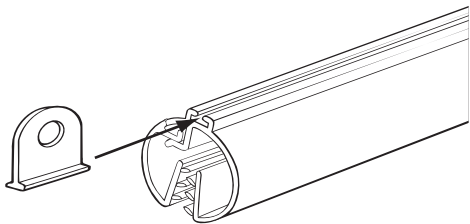


# Space Commander® Banner Hanger with Track – Spiral Ceiling Loop

Installation Instructions

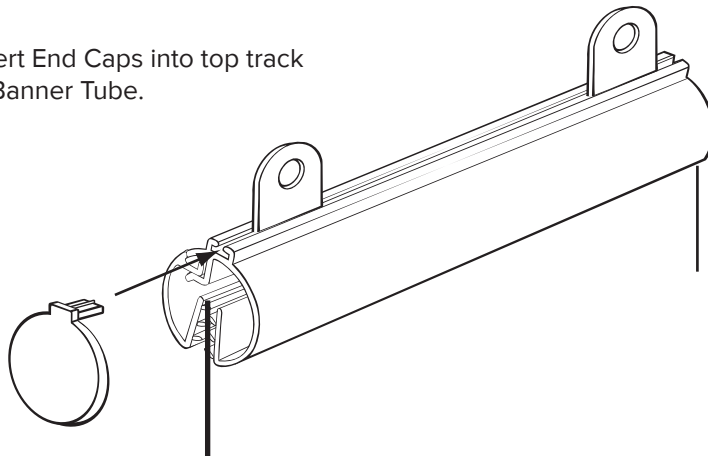
①

Slide Hanger Clips into top track of Space Commander® Banner Tube.



③

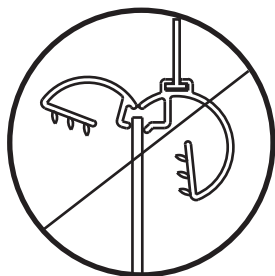
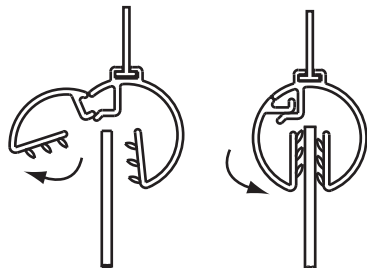
Insert End Caps into top track of Banner Tube.



②

Pry open hinged side. Start at one end of tube, and work your way down tube until it is completely open. Insert banner, snap shut tube to lock banner in place.

**NOTE:** See illustration below to determine how far to insert banner into banner hanger. Inserting banner too far into banner hanger may damage its hinge.

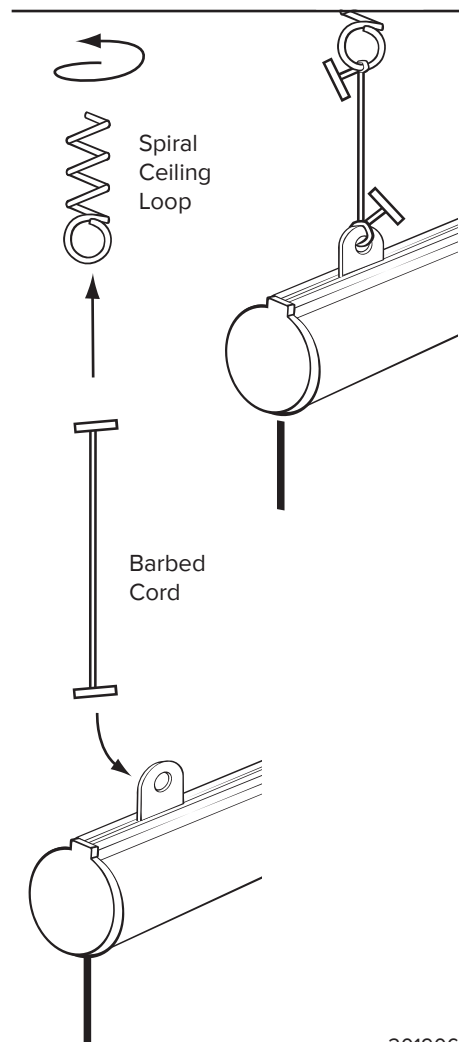


**CAUTION:**

Do not feed banner into clamping mechanism.

④

Tie one end of Barbed Cord to Hanger Clip. Tie other end of Barbed Cord to loop of Spiral Ceiling Loop. Repeat for the second Clip. Twist Spiral Ceiling Loops up into ceiling.



20190607